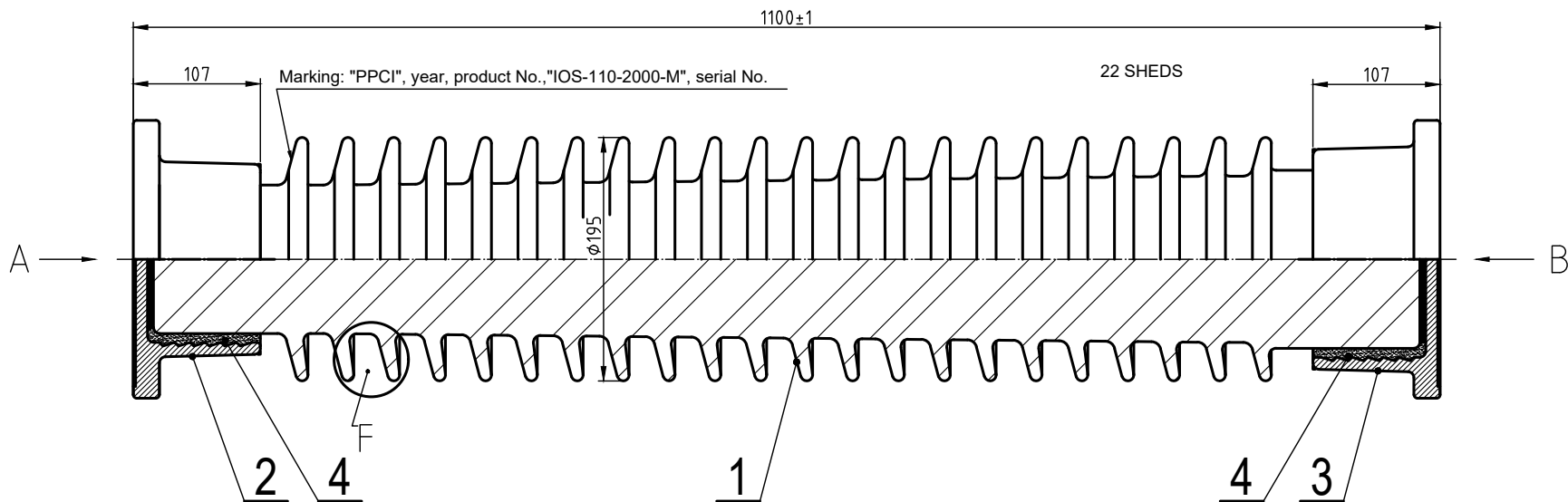
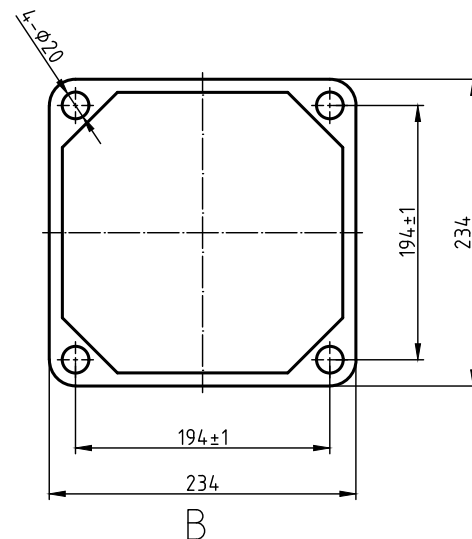
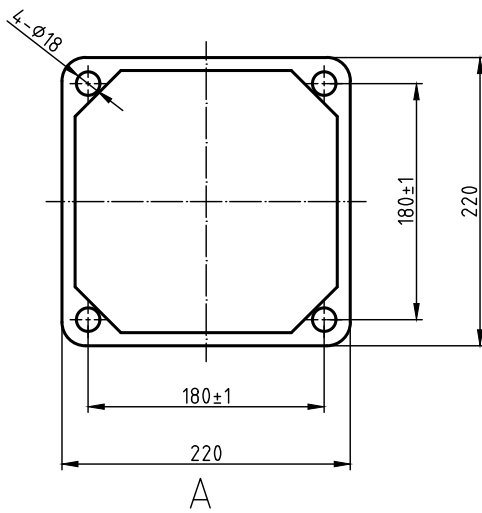
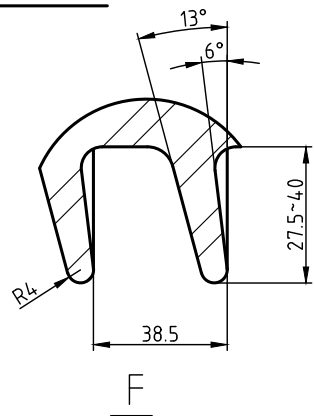


This document must not be copied without our written permission, and the contents thereof must not be imparted to a third party nor be used for any unauthorized purpose. Contravention will be prosecuted.



SHED DESIGN




LIGHTNING IMPULSE WITHSTAND VOLTAGE
 POWER-FREQUENCY WITHSTAND VOLTAGE, WET
 CREEPAGE DISTANCE
 MINIMUM FAILING LOAD - BENDING (UPRIGHT)
 - TORSION
 MAX. ANGULAR DEVIATION OF FIXING HOLES
 FITTINGS MATERIAL: DUCTILE IRON, HOT DIP GALVANIZED
 GLAZE COLOR: BROWN OR GREY
 TESTING ACC. TO IEC 60168

450 kV
 185 kV
 1900 mm
 20 kN
 3 kNm
 1 °

79 kg

APPROXIMATE WEIGHT

	4	CEMENTING			PORTLAND CEMENT	
	1	3	FITTING			
	1	2	FITTING			
	1	1	PORCELAIN		IEC 60672	
pcs	Pos.	Title	Drawing, standard	Dimension	Material	Weight
Scale (%)		Drawn ĐURÁK	Checked JANEČEK	Date 23.03.2021	Ref. 3054 K21-0009-0	
POST INSULATOR						 PPC INSULATORS
IOS - 110 - 2000 - M						
					4E43-0-M	0
					Drwg.no.	Rev.