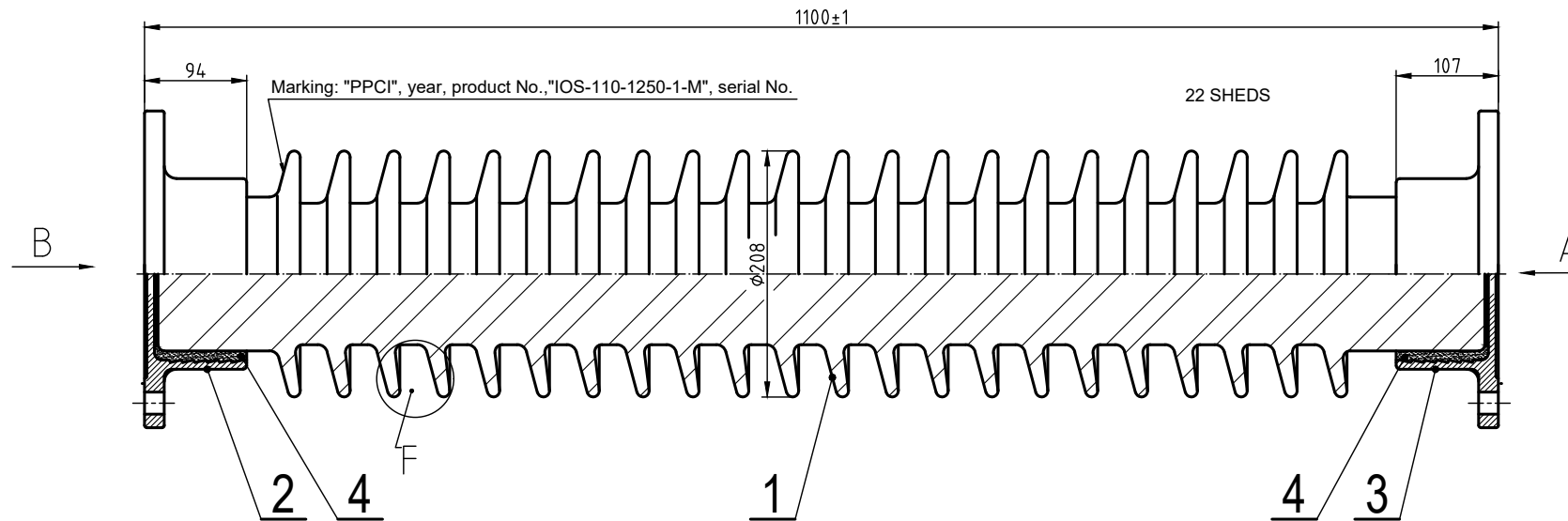
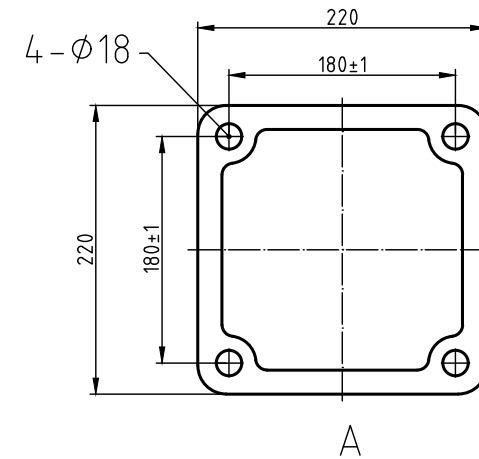
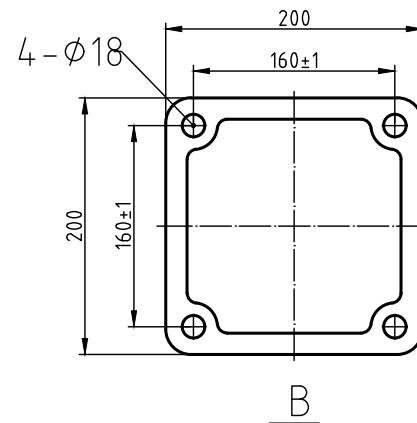
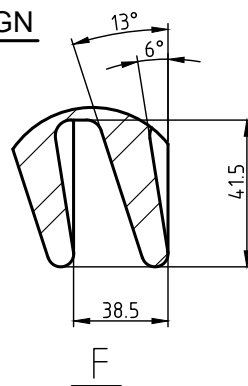



This document must not be copied without our written permission, and the contents thereof must not be imparted to a third party nor be used for any unauthorized purpose. Contravention will be prosecuted.



**SHED DESIGN**



LIGHTNING IMPULSE WITHSTAND VOLTAGE	450 kV
POWER-FREQUENCY WITHSTAND VOLTAGE, WET	185 kV
CREEPAGE DISTANCE	2100 mm
MINIMUM FAILING LOAD - BENDING (UPRIGHT)	12,5 kN
- TORSION	3 kNm
MAX. ANGULAR DEVIATION OF FIXING HOLES	1 °
FITTINGS MATERIAL: DUCTILE IRON, HOT DIP GALVANIZED	
GLAZE COLOR: BROWN OR GREY	
TESTING ACC. TO IEC 60168	
APPROXIMATE WEIGHT	73 kg

	4	CEMENTING			PORTLAND CEMENT	
	1	3	FITTING			
	1	2	FITTING			
	1	1	PORCELAIN		IEC 60672	
pcs	Pos.	Title	Drawing, standard	Dimension	Material	Weight
Scale (%)		Drawn ĐURÁK	Checked JANEČEK	Date 23.03.2021	Ref. 3052 K21-0008-0	
POST INSULATOR					 <b>PPC INSULATORS</b> 4E42-0-M   0	
IOS - 110 - 1250-1-M						
					Drwg.no.	Rev.