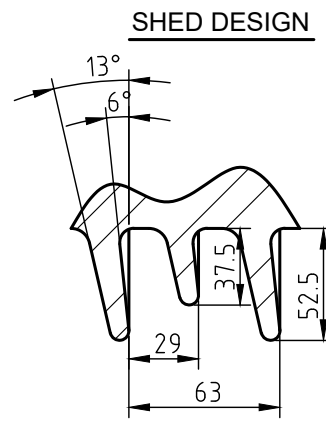
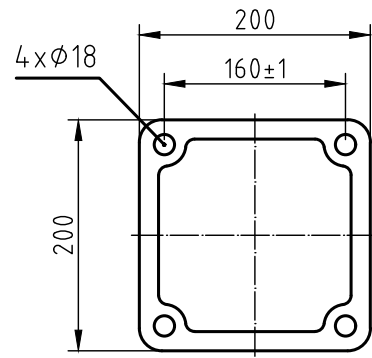
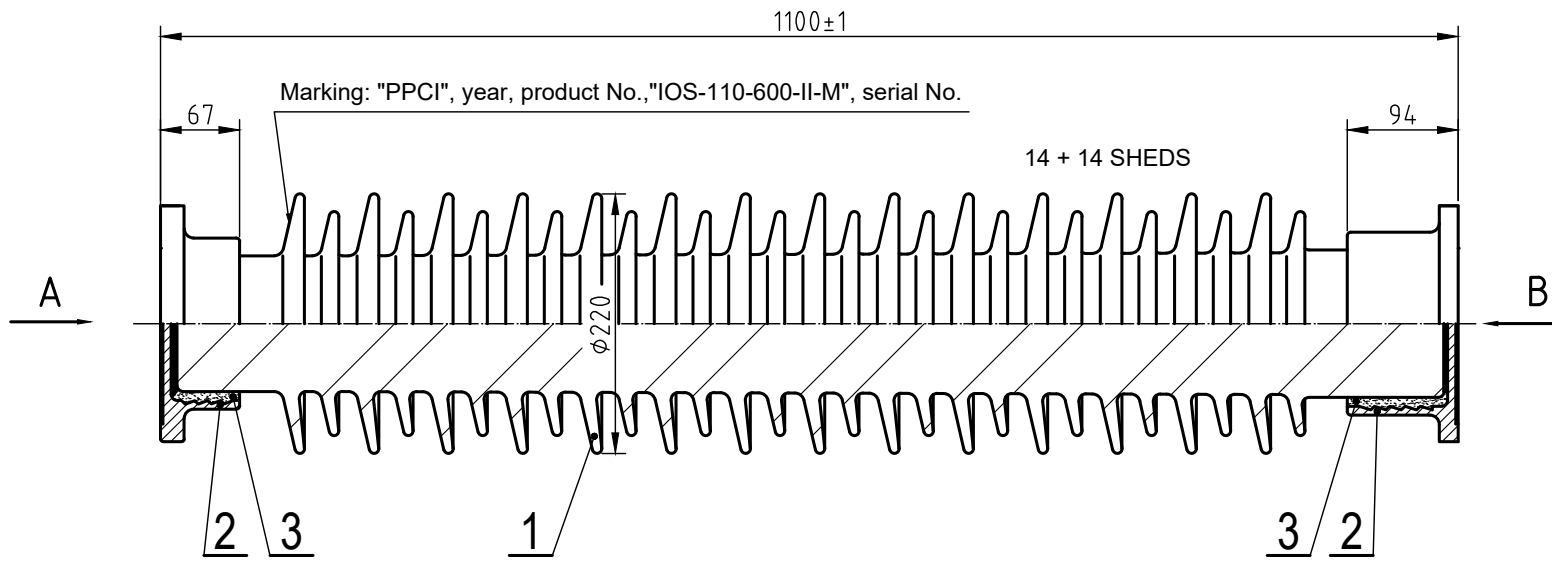



This document must not be copied without our written permission, and the contents thereof must not be imparted to a third party nor be used for any unauthorized purpose. Contravention will be prosecuted.



LIGHTNING IMPULSE WITHSTAND VOLTAGE 450 kV  
 POWER-FREQUENCY WITHSTAND VOLTAGE, WET 185 kV  
 CREEPAGE DISTANCE 2900 mm  
 MINIMUM FAILING LOAD - BENDING (UPRIGHT) 6 kN  
 - TORSION 3 kNm  
 MAX. ANGULAR DEVIATION OF FIXING HOLES 1 °  
 FITTINGS MATERIAL: DUCTILE IRON, HOT DIP GALVANIZED  
 GLAZE COLOR: BROWN OR GREY  
 TESTING ACC. TO IEC 60168  
 APPROXIMATE WEIGHT 58 kg

	3	CEMENTING			PORTLAND CEMENT	
	2	FITTING				
	1	PORCELAIN			IEC 60672	
pcs	Pos.	Title	Drawing, standard	Dimension	Material	Weight
Scale (%)		Drawn ĐURÁK	Checked ŠEBŠAJEVIČ	Date 23.03.2021	Ref. K21-0007-0	
<b>POST INSULATOR</b> IOS - 110 - 600 - II - M					 <b>PPC INSULATORS</b> 4E41-0-M   0	
					Drwg.no.	Rev.