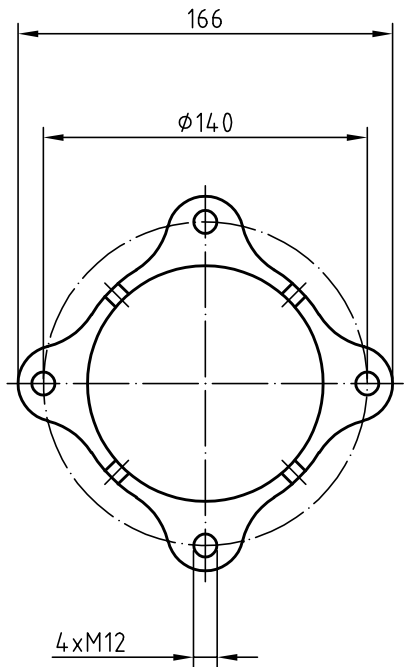
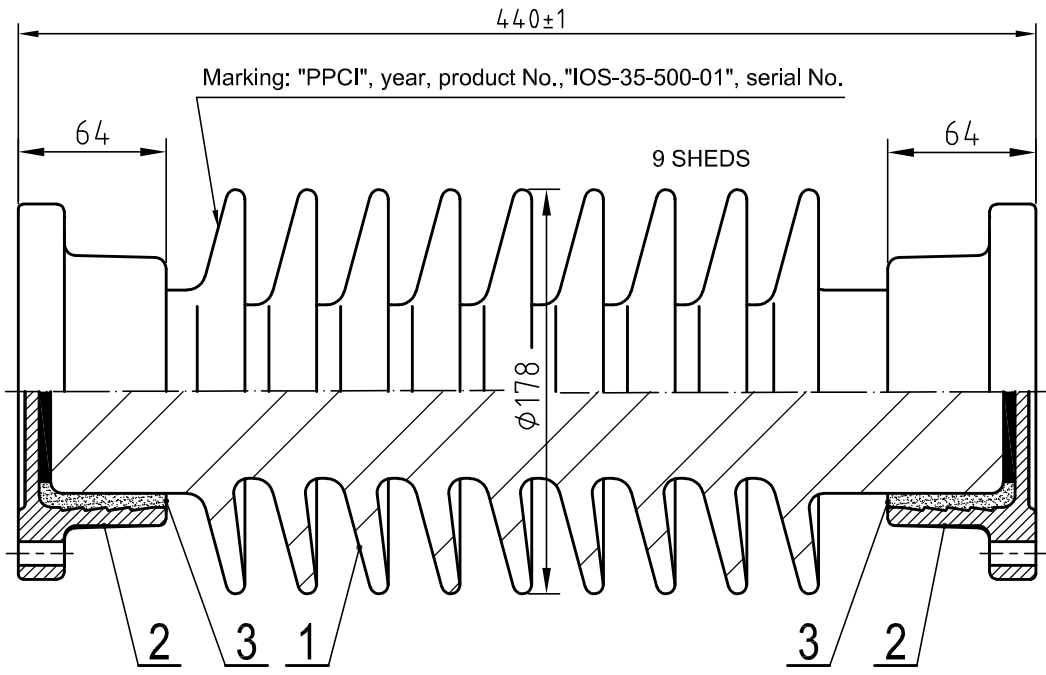
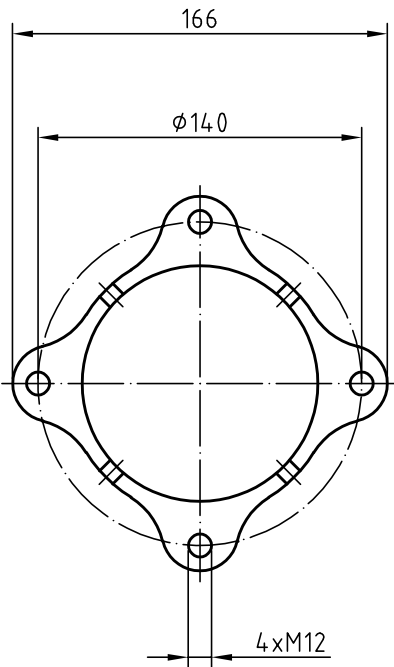
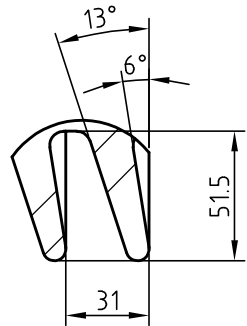


This document must not be copied without our written permission, and the contents thereof must not be imparted to a third party nor be used for any unauthorized purpose. Contravention will be prosecuted.




**SHED DESIGN**



LIGHTNING IMPULSE WITHSTAND VOLTAGE 195 kV  
 POWER-FREQUENCY WITHSTAND VOLTAGE, WET 70 kV  
 CREEPAGE DISTANCE 1050 mm  
 MINIMUM FAILING LOAD - BENDING (UPRIGHT) 5 kN  
 - TORSION 2 kNm  
 MAX. ANGULAR DEVIATION OF FIXING HOLES 1 °  
 FITTINGS MATERIAL: DUCTILE IRON, HOT DIP GALVANIZED  
 GLAZE COLOR: BROWN OR GREY  
 TESTING ACC. TO IEC 60168

APPROXIMATE WEIGHT 15 kg

	3	CEMENTING			PORTLAND CEMENT	
	1	2	FITTING			
	1	1	PORCELAIN		IEC 60672	
pcs	Pos.	Title	Drawing, standard	Dimension	Material	Weight
Scale (%)	Drawn	Checked	Date	Ref.	K21-0003-0	
	ŠEBŠAJEVIČ	ĐURAK	23.3.2021			
<b>POST INSULATOR</b> IOS - 35 - 500 - 01					 <b>PPC INSULATORS</b> <b>4E37-0-M</b>	
					Drwg.no.	Rev.