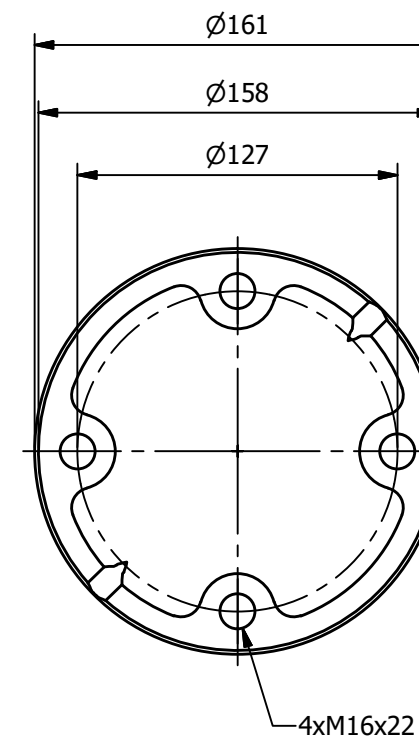
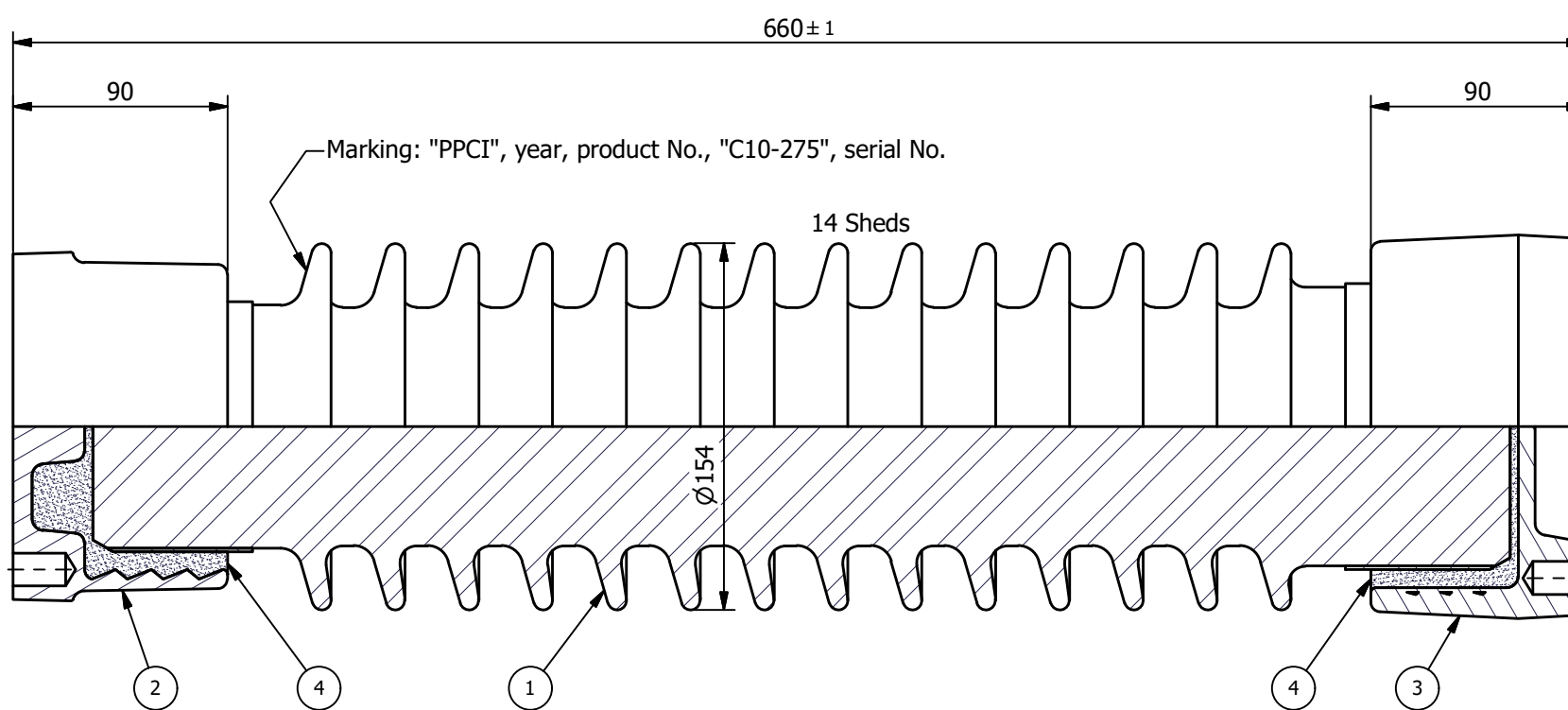
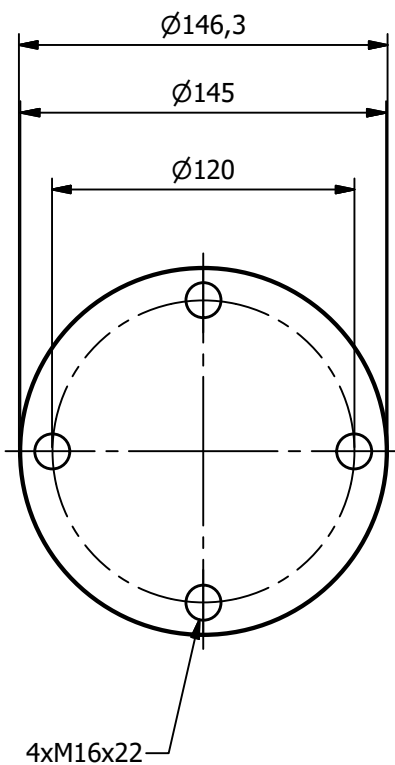


K-120-063-114

K-127-122-111

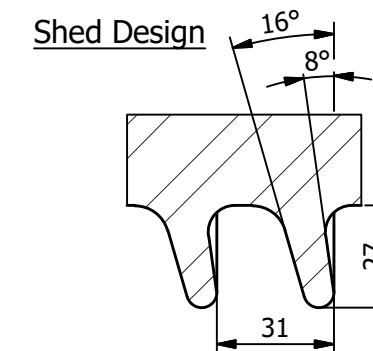


Standards - IEC 60273, 60168, 60672, 60815


Lightning impulse withstand voltage: 275 kV
 Power-frequency withstand voltage, wet: 125 kV
 Creepage distance: 1020 mm
 Minimum failing load - bending (upright): 10 kN
 - torsion: 4,5 kNm
 - tension: 80 kN

Max. angular deviation of the fixing holes: 1 °
 Fittings material: Cast iron, hot dip galvanized
 Glaze color: Brown or grey
 Testing acc. to IEC 60168

Mass 27,3 kg



Item	Qty	Description	Part No.	Material	Weight	Reference
4	1	Cement		Portland Cement	1,3 kg	
3	1	Fitting	K-127-122-111	Cast Iron	4 kg	
2	1	Fitting	K-120-063-114	Cast Iron	3,5 kg	
1	1	Porcelain	4D89-0-P	Porcelain C-130	18,5 kg	

Designed by: G. Šebšajevič	Checked by: M. Ďurák	Approved by: M. Ďurák	Date: 24. 6. 2020	Scale: 1:3	Format: A3	 Reference: B-09014
Post Insulator C10 - 275			Drawing / Product No.: 4D89-0-M		Revision: 01	
Group-ID:				Project:		1