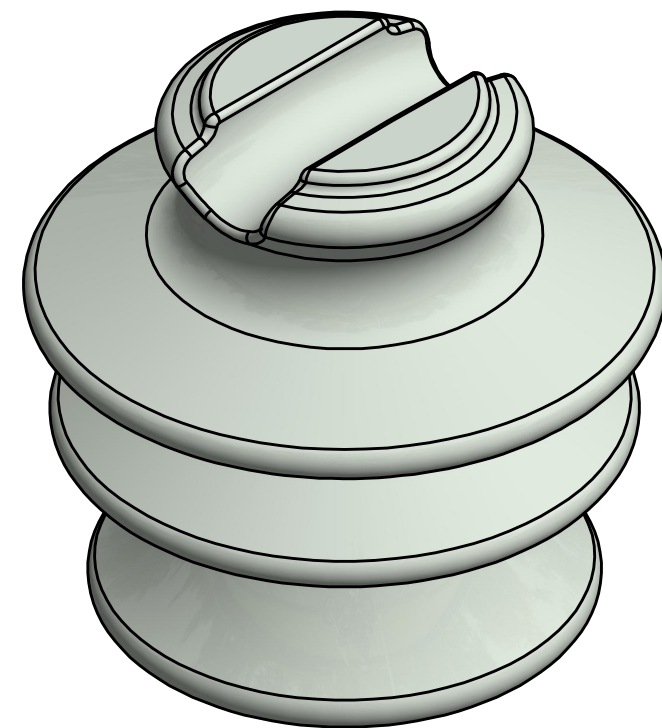
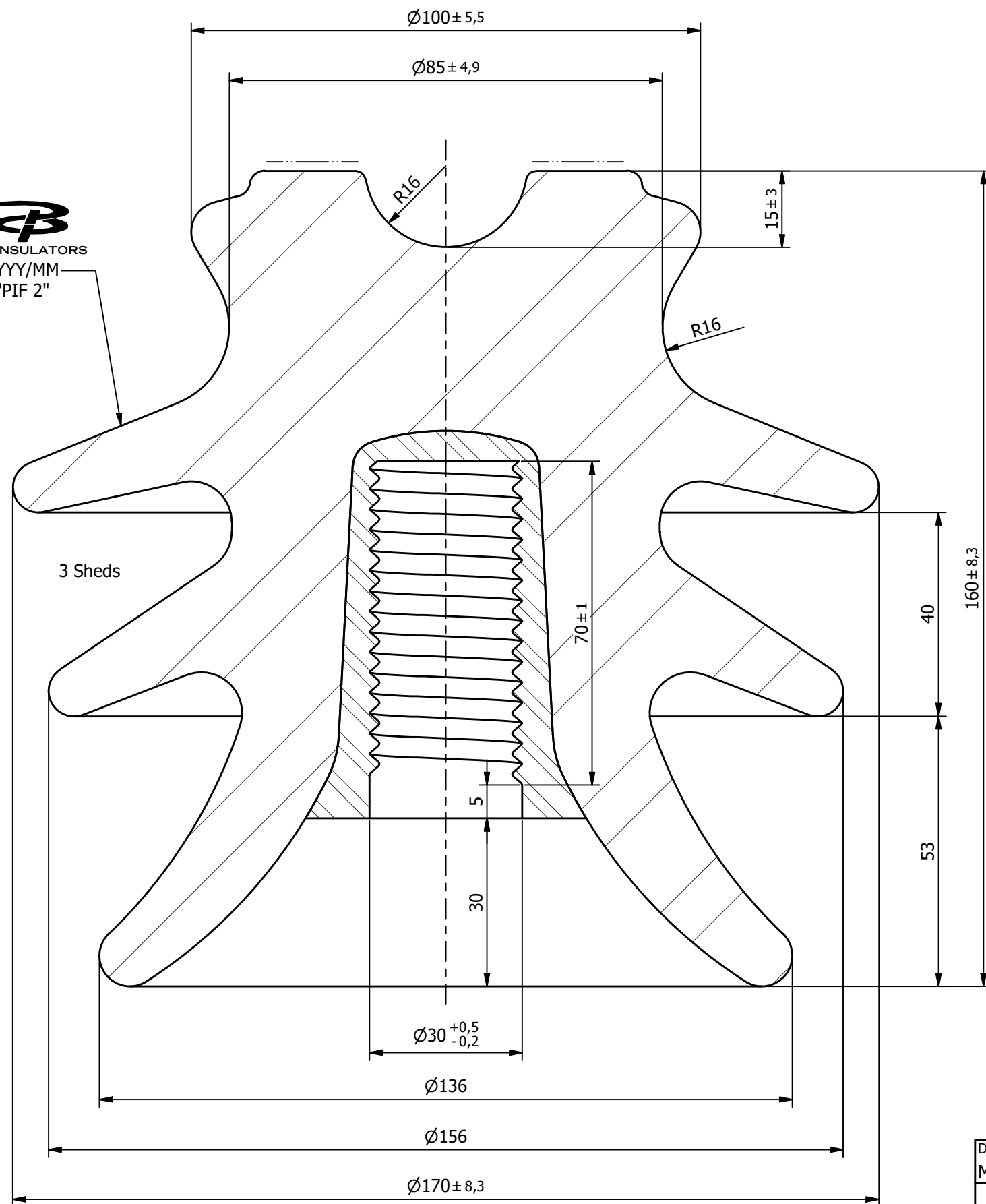






 PPC INSULATORS
 YYYY/MM
 "PIF 2"



| | |
|--|---------|
| Lightning impulse withstand voltage, dry | 125 kV |
| Power frequency withstand voltage, wet: | 50 kV |
| Creepage distance: | 325 mm |
| Minimum failing load bending: | 12,5 kN |
| Glaze color: Grey | |
| ----- Unglazed surface | |
| Testing acc. to IEC 60383 | |
| Mass: | 3,2 kg |

| | | | | | | | |
|--------------------------------|------------------------|-------------------------|---------------------|-----------------|---|---|---|
| Designed by: M.Janeček | Checked by: M.Đurák | Approved by: M.Đurák | Date: 24.09.2021 | Scale: 1 : 1 | Format: A3 |  |  |
| Pin Insulator PIF 2 - 24 kV | | | Reference: | |  Drawing / Product No.: 4D88-0-M-G Revision: 02 | | |
| | | | Group-ID: | Project: | | | |