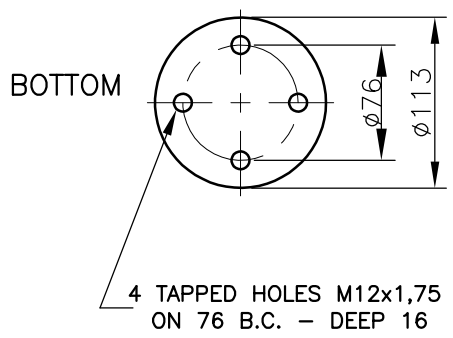
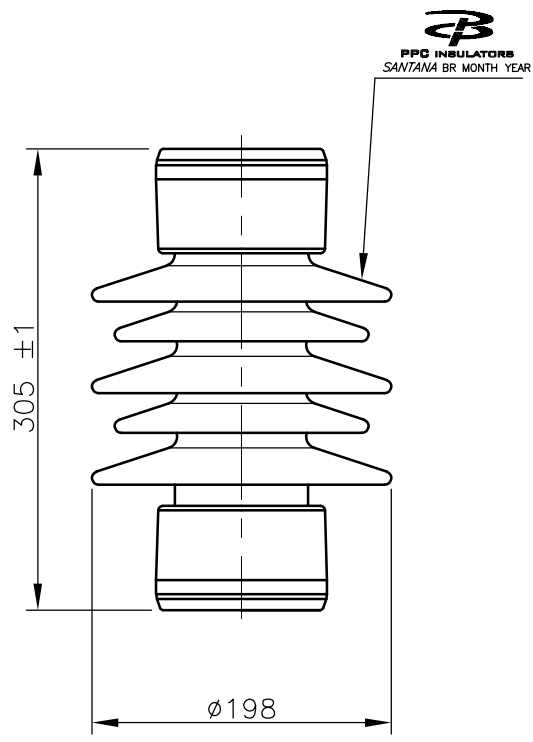
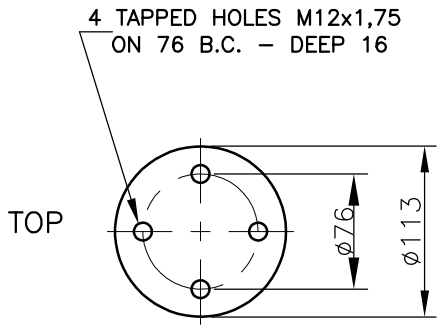


2	NOTE 6	13/11/19	LUIS
1	LEAKAGE DISTANCE AND SHED DIAMETER	23/10/19	LUIS
N.°	REVISION	DATE	AUT.



DIMENSIONAL CHARACTERISTICS

LEAKAGE DISTANCE NOMINAL	mm	600
DRY ARCING DISTANCE	mm	200

MECHANICAL CHARACTERISTICS

CANTILEVER STRENGTH	kN	12,5
TORSIONAL STRENGTH	kN.m	3

ELECTRICAL CHARACTERISTICS

POWER FREQUENCY WITHSTAND (WET)	kV	50
SWITCHING IMPULSE WITHSTAND (WET)	kV	-
LIGHTNING IMPULSE WITHSTAND VOLTAGE	kV	125


PACKING CHARACTERISTICS

UNIT NET WEIGHT	kg	11
-----------------	----	----

NOTES :

- 1- TOLERANCES ACCORDING TO IEC 60168
- 2- NUMBER OF SHEDS : 5
- 3- ALL FERROUS PARTS ARE HOT DIP GALV. PER ASTM A-153
- 4- DIMENSIONS IN MILLIMETERS
- 5- COLOUR: BROWN OR GRAY
- 6- PORCELAIN MATERIAL: ACCORDING TO IEC 60672-3 CLASS C-110

We reserve the right to intellectual property of this document and attachments.
 The total or partial reproduction, as well as sending to third parties, is not permitted
 without written permission under penalty of reply, in accordance with law civil and
 criminal.

DENOMINATION: STATION POST INSULATOR SOLID CORE - 125 kV (BIL) CAB LAN 4D38 OM	 PPC SANTANA			IDENTIFICATION REFERENCE PTR-1154	
	ORIGIN: SANTANA DESIGN (IEC 60273/168-CLASS C12,5-125)	ELAB./DATE LUIS 21/10/19	VER./DATE EVANDRO 21/10/19	APPROV./DATE MARCELO 21/10/19	REVISION 2
CODE. CAD:G:PROJ\PROPOSTA\PTR			SHEET -		SCALE -
CODE. -			TYPE-CAID		