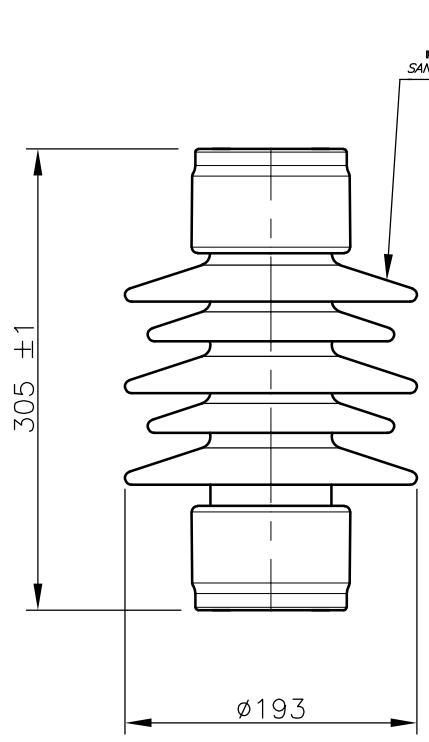
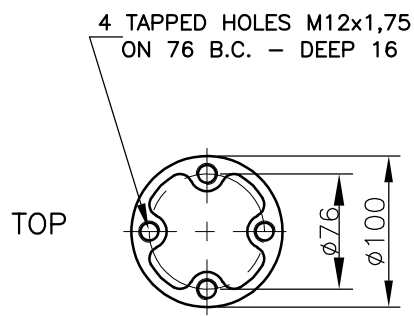


2	CHARACTERISTICS AND COLOUR	24/03/20	LUIS
1	NOTE 6	13/11/19	LUIS
N.º	REVISION	DATE	AUT.



DIMENSIONAL CHARACTERISTICS

LEAKAGE DISTANCE (MINIMUM)	mm	600
DRY ARCING DISTANCE (MINIMUM)	mm	200

MECHANICAL CHARACTERISTICS

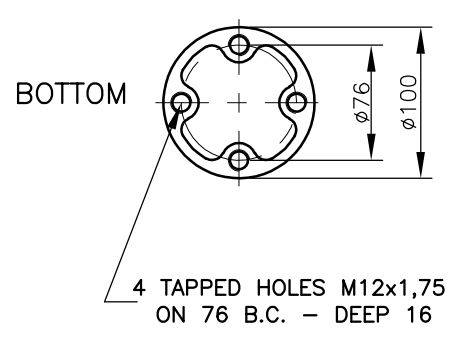
CANTILEVER STRENGTH	kN	8
TORSIONAL STRENGTH	kN.m	2
TENSILE STRENGTH	kN	45
COMPRESSION STRENGTH	kN	45

ELECTRICAL CHARACTERISTICS

POWER FREQUENCY WITHSTAND (WET)	kV	50
SWITCHING IMPULSE WITHSTAND (WET)	kV	-
LIGHTNING IMPULSE WITHSTAND VOLTAGE	kV	125

PACKING CHARACTERISTICS

UNIT NET WEIGHT	kg	10
-----------------	----	----



NOTES :

- 1- TOLERANCES ACCORDING TO IEC 60168
- 2- NUMBER OF SHEDS : 5
- 3- ALL FERROUS PARTS ARE HOT DIP GALV. PER ASTM A-153
- 4- DIMENSIONS IN MILLIMETERS
- 5- COLOUR: BROWN RAL 8016.
- 6- PORCELAIN MATERIAL: ACCORDING TO IEC 60672-3 CLASS C-110

We reserve the right to intellectual property of this document and attachments. The total or partial reproduction, as well as sending to third parties, is not permitted without written permission under penalty of reply, in accordance with law civil and criminal.

DENOMINATION: STATION POST INSULATOR SOLID CORE - 125 kV (BIL) CAB LAN 4D37 OM				IDENTIFICATION REFERENCE PTR-1156	
	ELAB./DATE LUIS 25/10/19	VER./DATE EVANDRO 25/10/19	APPROV./DATE MARCELO 25/10/19	REVISION 2	
ORIGIN: SANTANA DESIGN (IEC 60273/168-CLASS C8-125)	CODE. CAD:R:PROJ\UNI-01\EXTRU\SU\S193			SHEET	SCALE
	CODE. -			-	-
	TYPE-CAID			-	-