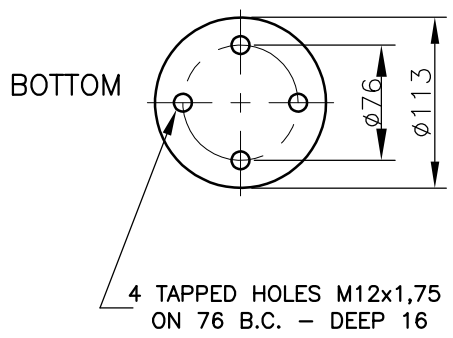
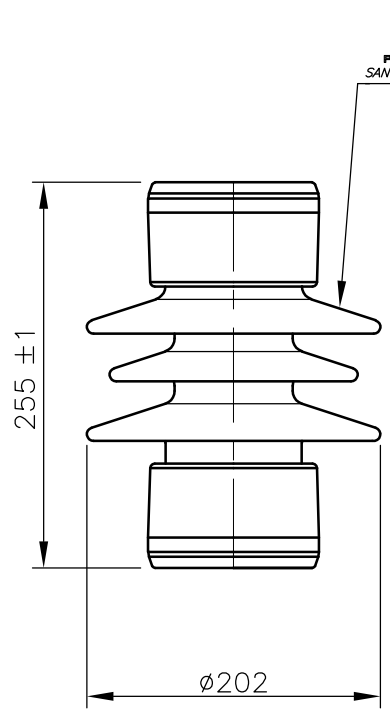
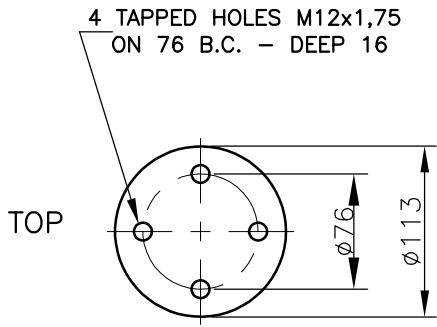


02/04/20	LUIS	DATE	AUT.
13/11/19	LUIS		
26/10/10	LUIS		
		REVISION	
3	SHED DIAMETER WAS 192mm		
2	NOTE 6		
1	GENERAL		
N.º			



DIMENSIONAL CHARACTERISTICS

LEAKAGE DISTANCE NOMINAL	mm	380
DRY ARCING DISTANCE	mm	170

MECHANICAL CHARACTERISTICS

CANTILEVER STRENGTH	kN	12,5
TORSIONAL STRENGTH	kN.m	1,8

ELECTRICAL CHARACTERISTICS

POWER FREQUENCY WITHSTAND (WET)	kV	38
SWITCHING IMPULSE WITHSTAND (WET)	kV	-
LIGHTNING IMPULSE WITHSTAND VOLTAGE	kV	95

PACKING CHARACTERISTICS

UNIT NET WEIGHT	kg	9,5
-----------------	----	-----

NOTES :

- 1- TOLERANCES ACCORDING TO IEC 60168
- 2- NUMBER OF SHEDS : 3
- 3- ALL FERROUS PARTS ARE HOT DIP GALV. PER ASTM A-153
- 4- DIMENSIONS IN MILLIMETERS
- 5- COLOUR: BROWN OR GRAY
- 6- PORCELAIN MATERIAL: ACCORDING TO IEC 60672-3 CLASS C-110

"We reserve the right to intellectual property of this document and attachments. The total or partial reproduction, as well as sending to third parties, is not permitted without written permission under penalty of reply, in accordance with law civil and criminal."

DENOMINATION: STATION POST INSULATOR SOLID CORE - 95 kV (BIL) CAB LAN 4D36 0M				IDENTIFICATION	
				REFERENCE PTR-451	
ORIGIN: SANTANA DESIGN (IEC 60273/168-CLASS C12,5-95)	ELAB./DATE	VER./DATE	APPROV./DATE	REVISION	
	LUIS 30/06/09	EVANDRO 30/06/09	ALDO 30/06/09	3	
	CODE. CAD:R:PROJ\UNI-01\EXTRU\SU\S194	CODE.			SHEET
	-		TYPE-CAID	-	-