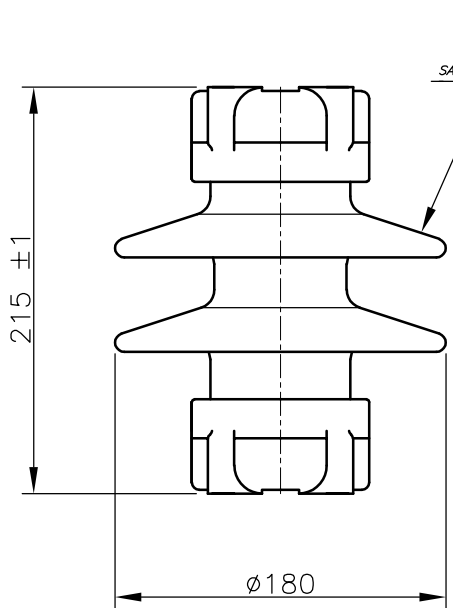
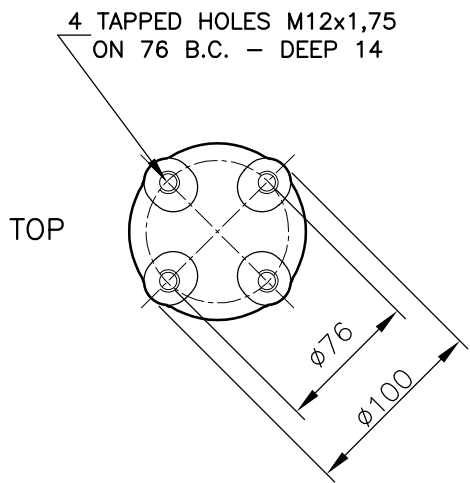


We reserve the right to intellectual property of this document and attachments.
 The total or partial reproduction, as well as sending to third parties, is not permitted
 without written permission under penalty of reply, in accordance with law civil and
 criminal.

1	NOTE 6	13/11/19	DATE
N.:	REVISION		AUT.



DIMENSIONAL CHARACTERISTICS

LEAKAGE DISTANCE MINIMUM	mm	250
DRY ARCING DISTANCE	mm	140

MECHANICAL CHARACTERISTICS

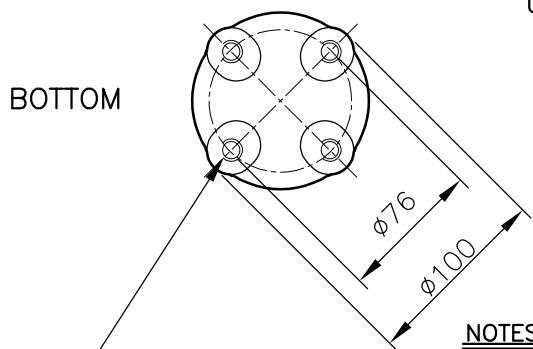
CANTILEVER STRENGTH	kN	8
TORSIONAL STRENGTH	kN.m	0,8

ELECTRICAL CHARACTERISTICS

LIGHTNING IMPULSE WITHSTAND VOLTAGE	kV	75
POWER FREQUENCY WITHSTAND (WET)	kV	28

PACKING CHARACTERISTICS

UNIT NET WEIGHT	kg	6,5
-----------------	----	-----



NOTES :

- 1- TOLERANCES ACCORDING TO IEC 60168
- 2- NUMBER OF SHEDS : 2
- 3- ALL FERROUS PARTS ARE HOT DIP GALV. PER ASTM A-153
- 4- DIMENSIONS IN MILLIMETERS
- 5- COLOUR: BROWN OR GRAY
- 6- PORCELAIN MATERIAL: ACCORDING TO IEC 60672-3 CLASS C-110

DENOMINATION: STATION POST INSULATOR SOLID CORE - BIL 75 kV CAB LAN 4D35 OM				IDENTIFICATION REFERENCE PTR-1158	
	ELAB./DATE LUIS 01/11/19	VER./DATE RICARDO 01/11/19	APPROV./DATE MARCELO 01/11/19	REVISION 1	
ORIGIN: PPC SANTANA (IEC 60168/273-CLASS C8-75)	CODE. CAD:R:PROJ\PROPOSTA\PTR			SHEET	SCALE
	TYPE-CAID			-	-