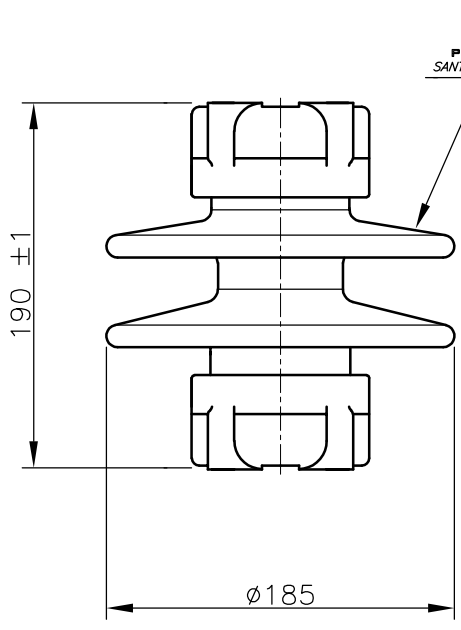
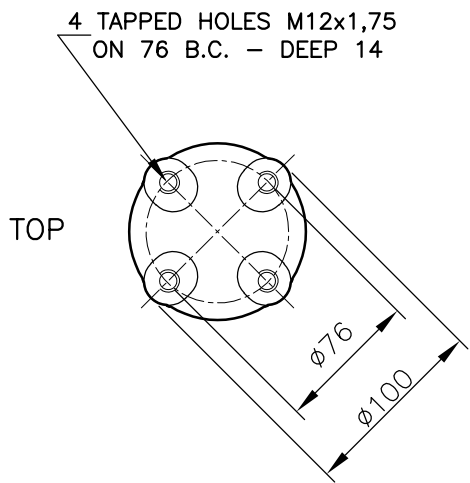


"We reserve the right to intellectual property of this document and attachments.
 The total or partial reproduction, as well as sending to third parties, is not permitted
 without written permission under penalty of reply, in accordance with law civil and
 criminal."

1	NOTE 6	REVISION	DATE	AUT.
			13/11/19	LUIS



DIMENSIONAL CHARACTERISTICS

LEAKAGE DISTANCE MINIMUM	mm	190
DRY ARCING DISTANCE	mm	145

MECHANICAL CHARACTERISTICS

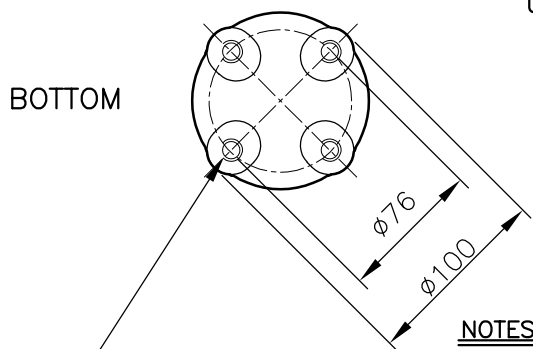
CANTILEVER STRENGTH	kN	8
TORSIONAL STRENGTH	kN.m	0,8

ELECTRICAL CHARACTERISTICS

LIGHTNING IMPULSE WITHSTAND VOLTAGE	kV	60
POWER FREQUENCY WITHSTAND (WET)	kV	20


PACKING CHARACTERISTICS

UNIT NET WEIGHT	kg	5
-----------------	----	---



NOTES :

- 1- TOLERANCES ACCORDING TO IEC 60168
- 2- NUMBER OF SHEDS : 2
- 3- ALL FERROUS PARTS ARE HOT DIP GALV. PER ASTM A-153
- 4- DIMENSIONS IN MILLIMETERS
- 5- COLOUR: BROWN OR GRAY
- 6- PORCELAIN MATERIAL: ACCORDING TO IEC 60672-3 CLASS C-110

DENOMINATION: STATION POST INSULATOR SOLID CORE - BIL 60 kV CAB LAN 4D34 0M	 PPC SANTANA			IDENTIFICATION REFERENCE PTR-1157	
	ORIGIN: PPC SANTANA (IEC 60168/273-CLASS C8-60)	ELAB./DATE LUIS 31/10/19	VER./DATE RICARDO 31/10/19	APPROV./DATE MARCELO 31/10/19	REVISION 1
CODE. CAD:R:PROJ\PROPOSTA\PTR CODE.			TYPE-CAID	SHEET -	SCALE -