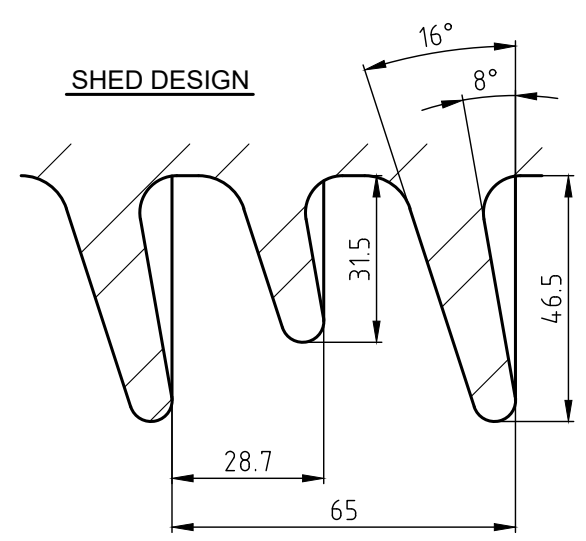
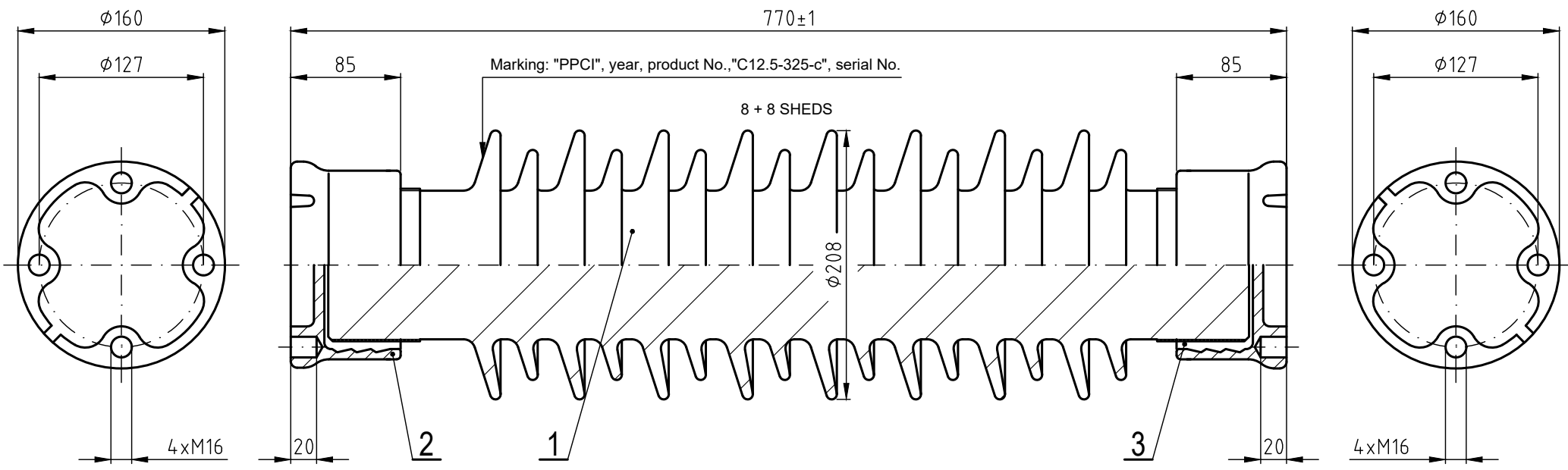



This document must not be copied without our written permission, and the contents thereof must not be imparted to a third party nor be used for any unauthorized purpose. Contravention will be prosecuted.



STANDARDS - IEC 60273, 60168, 60672, 60815
 LIGHTNING IMPULSE WITHSTAND VOLTAGE 325 kV
 POWER-FREQUENCY WITHSTAND VOLTAGE, WET 140 kV
 CREEPAGE DISTANCE 1450 mm
 MINIMUM FAILING LOAD - BENDING (UPRIGHT & UNDERHUNG) 12.5 kN
 - TORSION 4 kNm
 MAX. ANGULAR DEVIATION OF FIXING HOLES 1°
 FIXING DEVICE MATERIAL: CAST IRON, HOT DIP GALVANIZED
 TESTING ACC. TO IEC 60168
 MECHANICAL ROUTINE TEST BENDING 4x70%

APPROXIMATE WEIGHT 39 kg

	3	CEMENTING			PORTLAND CEMENT	
	2	CAP	35403-2			
	1	PORCELAIN	4D18 0 P		C-130 IEC 60672	
pcs	Pos.	Title	Drawing, standard	Dimension	Material	Weight
Scale (%)		Drawn ĐURÁK	Checked ŠEŠAJEVIČ	Date 06.08.2020	Ref.	
OUTDOOR POST INSULATOR					 PPC INSULATORS 4D18 0 M 01	
C12.5 - 325 - c						
					Drwg.no.	Rev.