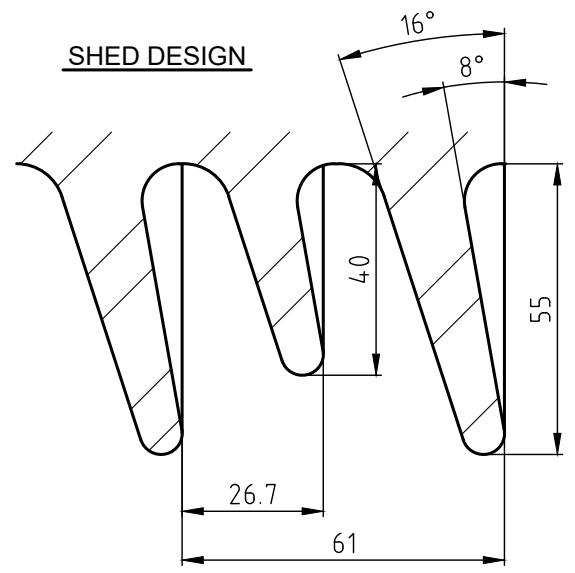
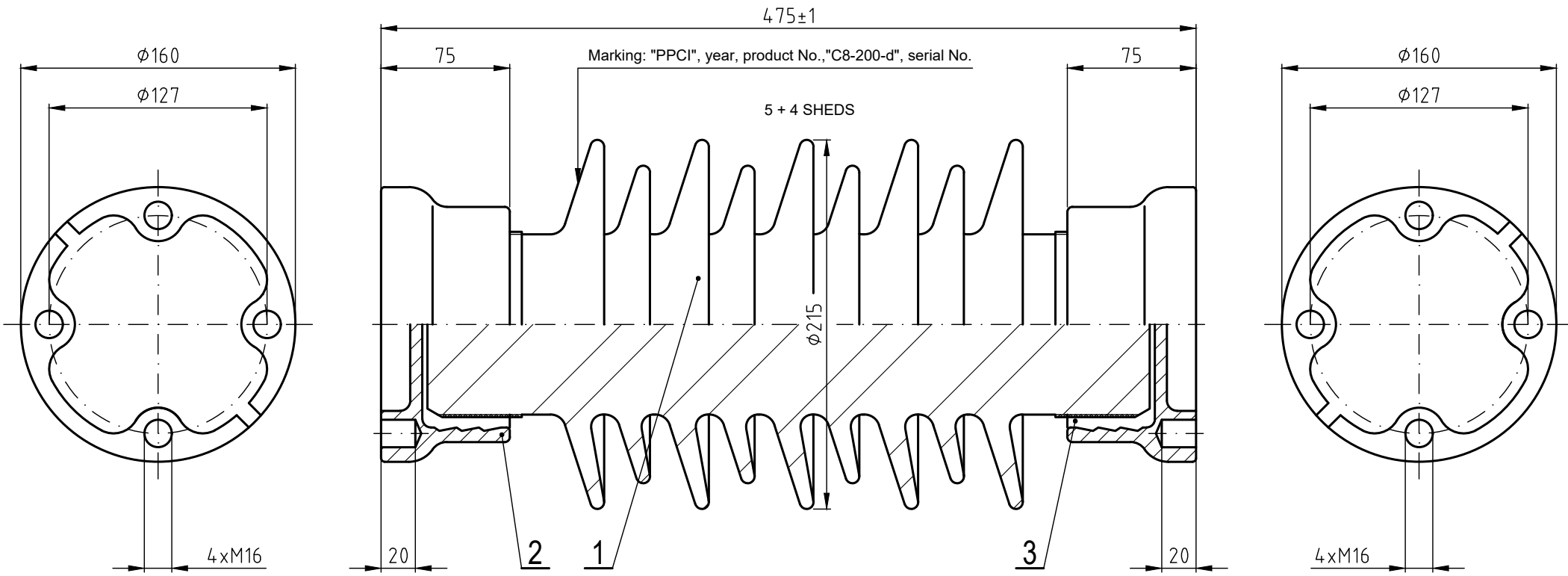



This document must not be copied without our written permission, and the contents thereof must not be imparted to a third party nor be used for any unauthorized purpose. Contravention will be prosecuted.



STANDARDS - IEC 60273, 60168, 60672, 60815
 LIGHTNING IMPULSE WITHSTAND VOLTAGE 200 kV
 POWER-FREQUENCY WITHSTAND VOLTAGE, WET 70 kV
 CREEPAGE DISTANCE 913 mm
 MINIMUM FAILING LOAD - BENDING (UPRIGHT & UNDERHUNG) 8 kN
 - TORSION 2 kNm
 MAX. ANGULAR DEVIATION OF FIXING HOLES 1°
 FIXING DEVICE MATERIAL: CAST IRON,
 HOT DIP GALVANIZED
 TESTING ACC. TO IEC 60168
 MECHANICAL ROUTINE TEST BENDING 4x70%

APPROXIMATE WEIGHT 28 kg

	3	CEMENTING			PORTLAND CEMENT	
	2	CAP	56481-1			
	1	PORCELAIN	4D14 0 P		C-130 IEC 60672	
pcs	Pos.	Title	Drawing, standard	Dimension	Material	Weight
Scale (%)		Drawn ĐURÁK	Checked ŠEBŠAJEVIČ	Date 06.08.2020	Ref.	
OUTDOOR POST INSULATOR					 PPC INSULATORS 4D14 0 M 01	
C8 - 200 - d						
					Drwg.no.	Rev.